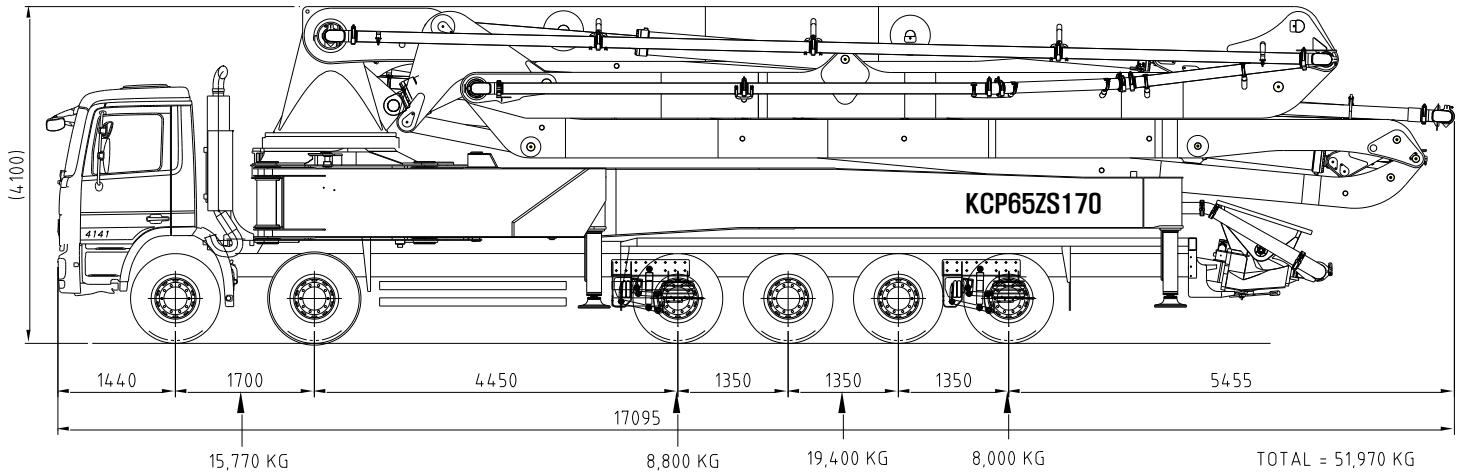


Our Pride ...

# KCP65ZS170

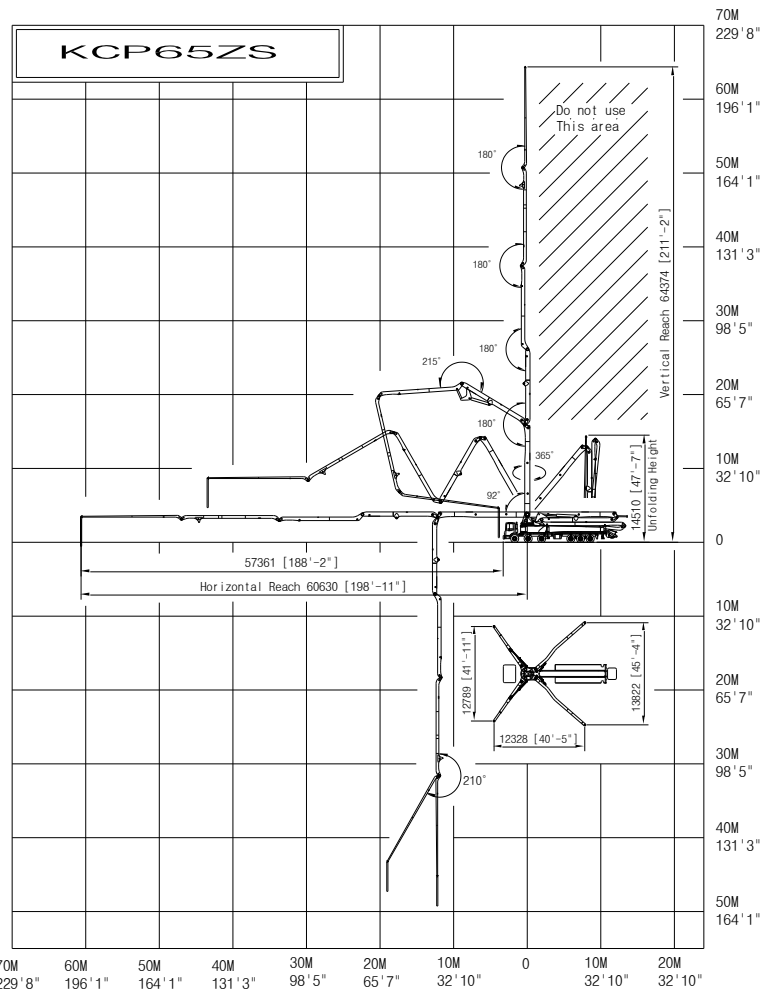


## ▣ Boom specifications

Vertical reach	64.4M
Horizontal reach	60.6M
Reach from front of truck	57.4M
Unfolding height	14.5M
Section articulation	92°/180°/215°/180°/210°
Rotation	370°
Delivery line	125 mm
Proportional boom	Yes
End hose length	4M
Outrigger spread-front	12.8 M
Outrigger spread-rear	13.8 M
Max.outrigger weight	50,000kg

- ⊙ Truck specifications : Mercedes benz-4141K (408PS,EURO5)
- ⊙ Maximum theoretical values listed.
- ⊙ Photos and drawings are for illustrative purpose only
- ⊙ Right to make technical amendments reserved

## ▣ Working diagram



## ▣ Pump specifications

Maximum output	170 m <sup>3</sup> /h
Concrete cylinder	Ø230×2100
Stroke per minute	32
Concrete pressure	87.5 bar
Hopper capacity	0.6 m <sup>3</sup>
S-tube	Ø200×Ø180
Hydraulic pump	Rexroth A20VLO190
Cycling system	Hydraulic with manual overrides
Max. aggregate size	40 mm